

HID ROUND LENSES

Series F35



Series F35



Series F35

HID REFRACTOR
FOR COMMERCIAL,
INSTITUTIONAL APPLICATIONS

STANDARD MATERIAL:
HID GRADE ACRYLIC

PLEASE INQUIRE FOR
FURTHER MATERIAL OPTIONS

Description

The Series F35 is a pressure molded drop lens, combining aesthetical design features with superior performance. Available in HID grade acrylic.

Application

The Series F35 is designed for commercial and institutional applications where a round, symmetrical light distribution is required. The external prisms provide exceptional glare control.

Lamp Data

The Series F35 lens is specifically designed for use with high intensity discharge luminaires. Thermal testing is recommended for each luminaire design to confirm appropriate lamp sizes.

The NEC requires luminaires listed for use with Metal halide lamps to either utilize an open-fixture rated lamp or a lamp containment barrier recognized by testing per Underwriters Laboratory (UL) Safety Standard 1598 clause 16.29 or equivalent. Records of this testing are the responsibility of the luminaire manufacturer.

Ordering Information

Please call 800-228-5275 or 231-547-6584 for price and delivery. Typical lead time is four to six weeks.

Notice

A.L.P. Plastics assumes no responsibility for suitability of luminaires and applications. The use of diffusers at temperatures near or above 80°C with high ultraviolet output light sources will cause degradation of the material.

Series F35

Series F35

Size	Drop Size	Max Trim	Depth	Draft
12"	12-3/4" diameter	15"	3-7/8"	40°
24"	19" diameter	20-5/8"	3-7/8"	40°
24"	21-1/2" diameter	23"	5-3/16"	40°
30"	27-1/2" diameter	29-3/4"	3-7/8"	40°

Materials

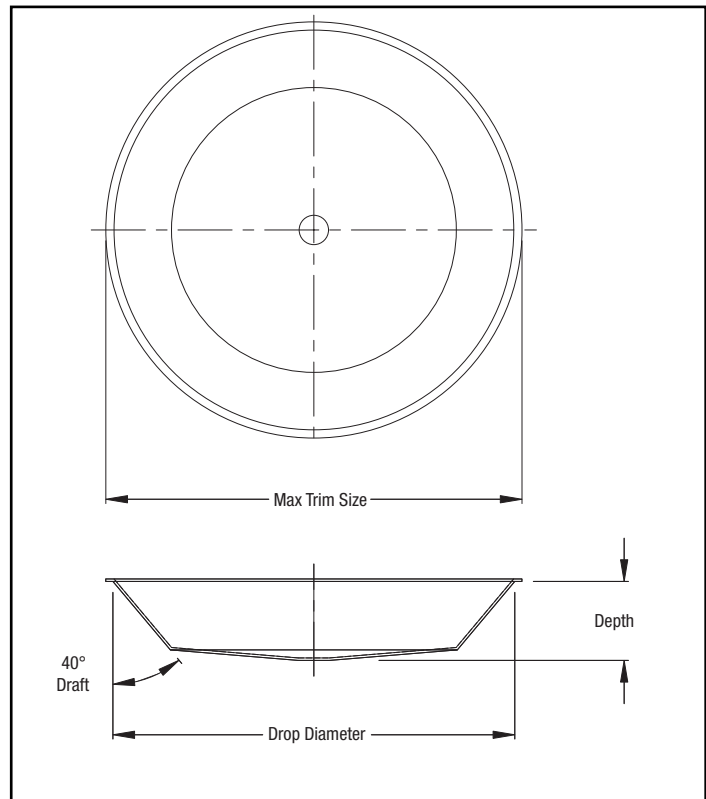
The following materials are used in the production of sheet, profiles, formed and molded parts by A.L.P. Plastics. Please be aware that A.L.P. Plastics does not provide material certifications unless requested by the customer prior to quoting. Our standard manufacturing practice includes the use of reclaimed materials exceeding 25%.

HID Acrylic:

Altuglas Intl. - UL file #E39437, Material: V-825-HID.

Lucite International - UL file #E65769, Material: CP75-HID.

Please visit our web site for the most current material specifications.



This drawing is for reference only. Actual part dimensions will vary. Customer is urged to review actual samples to confirm fit and function. All specifications and dimensions are subject to change without notice.