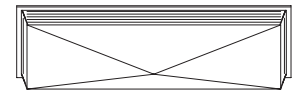


HID REFRACTORS

Series I33



Series I33



Series I33

DROP SIZE: 21.5" X 21.5"
DEPTH: 3.85"

HID REFRACTOR
FOR COMMERCIAL,
INSTITUTIONAL APPLICATIONS

STANDARD MATERIAL:
HID ACRYLIC

PLEASE INQUIRE FOR
FURTHER MATERIAL OPTIONS

Description

The Series I33 is an injection molded drop lens, combining aesthetical design features with superior performance.

Application

The Series I33 is designed for commercial and institutional applications where a square light distribution is required. The external prisms provide exceptional glare control.

Lamp Data

The Series I33 lens is designed for use with high intensity discharge lamps. Thermal testing is recommended for each luminaire design to confirm appropriate lamp sizes.

The NEC requires luminaires listed for use with Metal halide lamps to either utilize an open-fixture rated lamp or a lamp containment barrier recognized by testing per Underwriters Laboratory (UL)

Safety Standard 1598 clause 16.29 or equivalent. Records of this testing are the responsibility of the luminaire manufacturer.

Ordering Information

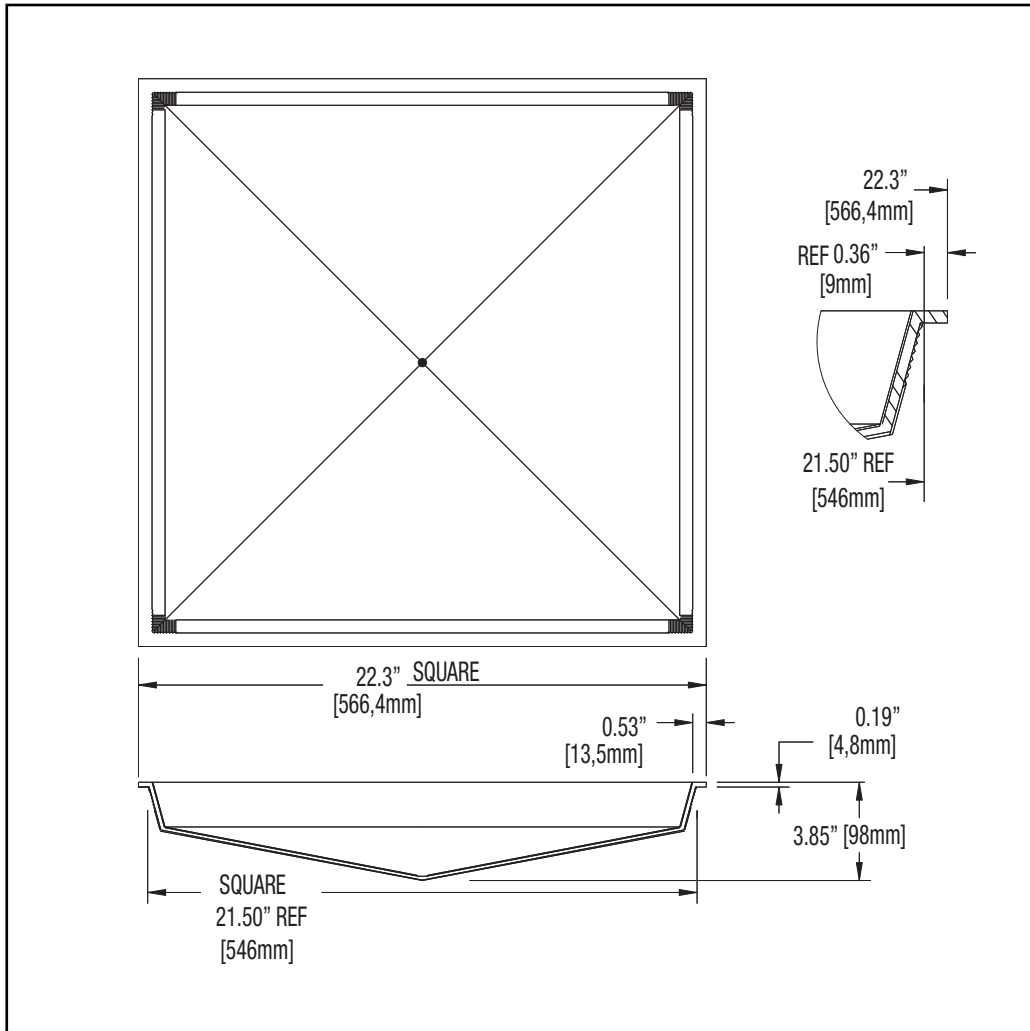
Please call 800-228-5275 or 231-547-6584 for price and delivery. Typical lead time is four to six weeks.

Notice

A.L.P. Lighting Components, Inc. assumes no responsibility for suitability of luminaires and applications. The use of our molded products at excessive temperatures with high UV output light sources will cause degradation of the material. Information regarding the use of lenses and refractors with Metal Halide lamps can be found in the Products/Technical Resources section of our web site at www.alplighting.com.



Series I33



This drawing is for reference only. Actual part dimensions will vary. Customer is urged to review actual samples to confirm fit and function. All specifications and dimensions are subject to change without notice.

Materials

See the LexaLite brand price list for current part numbers and material offerings. Up-to-date and detailed material specifications can be found in the Products/Technical Resources section of our web site at www.alplighting.com.